

Remember Guardio Forget Damages

- HAND RAILS
- WALL GUARDS
- CORNER GUARDS
- WALL PANELS





Why Guardio?

Guardio customer ranges from architects to contractors and building owners to provide products that work.

With significant product knowledge and installation service, Guardio provides expert support and advice from design to specification and installation.

Guardio provides range of wall protection including wall cladding, wall guards, handrails and corner guards. These products offer comprehensive wall protection ranges in the market.

Guardio controls the design of profiles from initial concept to the finished product, including specialist design and the manufacturer of tooling. This ensures that the quality is maintained and provides customers with an efficient, flexible and quick service.



Why Use Guardio wall protection systems?

Guardio wall protection systems comprise a range of complementary products designed to reduce damage to surfaces by absorbing and deflecting impact. Within a typical commercial building, a combination of products is often necessary to effectively protect interiors from damage.

Typical Causes of Damage



Trolleys



Luggage



Wheelchairs



Beds



Pedestrians



Vehicles



Hand Rails and Wall Guards



Guardio handrails and wall guards are designed to offer pedestrian guidance and support, in addition to a degree of surface protection against damage caused by wheeled traffic such as trolleys, stretchers, chairs or furniture etc. The system is installed on an aluminium profile to resist the impact. They are ideally used in hospitals, hotels, schools, offices where the wall surfaces are prone to damage from movable objects. Wall guards are robust in design and used in areas where frequent levels of impact occur.



Features:

1. Handrails are installed on the wall from 800mm to 900mm and wall guards are installed from 100mm to 150mm.
2. Protects the wall from movable objects such as stretchers, tables, chairs etc.
3. Helps the patient to hold the rail and walk.
4. Body is scratch proof, anti- bacterial and fire resistant.
5. Color options available.



Model	Height(mm)	Depth(mm)	Offset(mm)	Length(MTR)	Color options
KHR-140	140	38	38	3 mtr	Single / dual color
KHR 159	159	38	38	3 mtr	Single / dual color
KHR- 89	89	38	38	3 mtr	Single
KWG-102	102	25	--	3 mtr	Single / dual color
KWG- 152	152	25	--	3 mtr	Single / dual color



● — Corner Guard

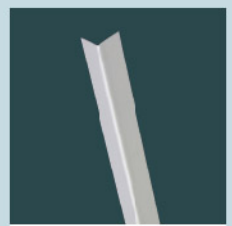
Corner Guards



Corners are one of the most vulnerable areas of a building and when left exposed are often damaged from everyday wheeled and pedestrian traffic. Guardio corner guards are available in vinyl cover with aluminium material and the style and height is ideal for reducing maintenance costs and maintaining interior appearances.

Features:

1. Recommended height for installation is 1.5 mtr, 2 mtr and 3 mtr
2. Thickness of Vinyl cover is 2mm and Aluminum base is 1.5mm.
3. Also available in Stainless Steel.



KCG40



KCG51A



KCG51B

Model	Wings	Corners	Color options
KCG40	40mm	90 Degree	Solid Colors available
KCG51A	50mm	90 Degree	Solid Colors available
KCG51B	50mm	135 Degree	Solid Colors available



Wall Panels



Wall Panels are designed to protect large surfaces from scuffs and scrapes due to any movable objects such as tables, chairs, trolleys. Panels are available in wide range of colours to coordinate with interior finishes. It provides durable and defensive layer which makes it widely suitable for hospitals, commercial buildings, airports, offices, sports venues, schools etc.

Features:

1. Scratch proof and durable to impact.
2. Reduces maintenance cost and improves aesthetics of the building.
3. Easily cleaned, anti- bacterial and mould proof.
4. Resistant to most acid, alkali, salt, alcohol.
5. Multiple color options available.

Model	Thickness	Size	Color
KWP - 1	1mm	4 feet x 8 feet	25 color options available
KWP - 1.5	1.5mm		
KWP - 2	2mm		

Selecting the Right Product

This section demonstrates typical applications of wall protection products within commercial building environments and uses illustrative examples of how wall protection can be specified in various zones within a building. These examples can be adjusted to coordinate with the requirements of specific environments or design themes in a range of market sectors including healthcare, education, hospitality, care home, commercial office and retail.



Building Zones

1. Receptions & entrances
2. Accommodation
3. Clinical areas
4. Hospital accommodation
5. Corridors & circulation areas

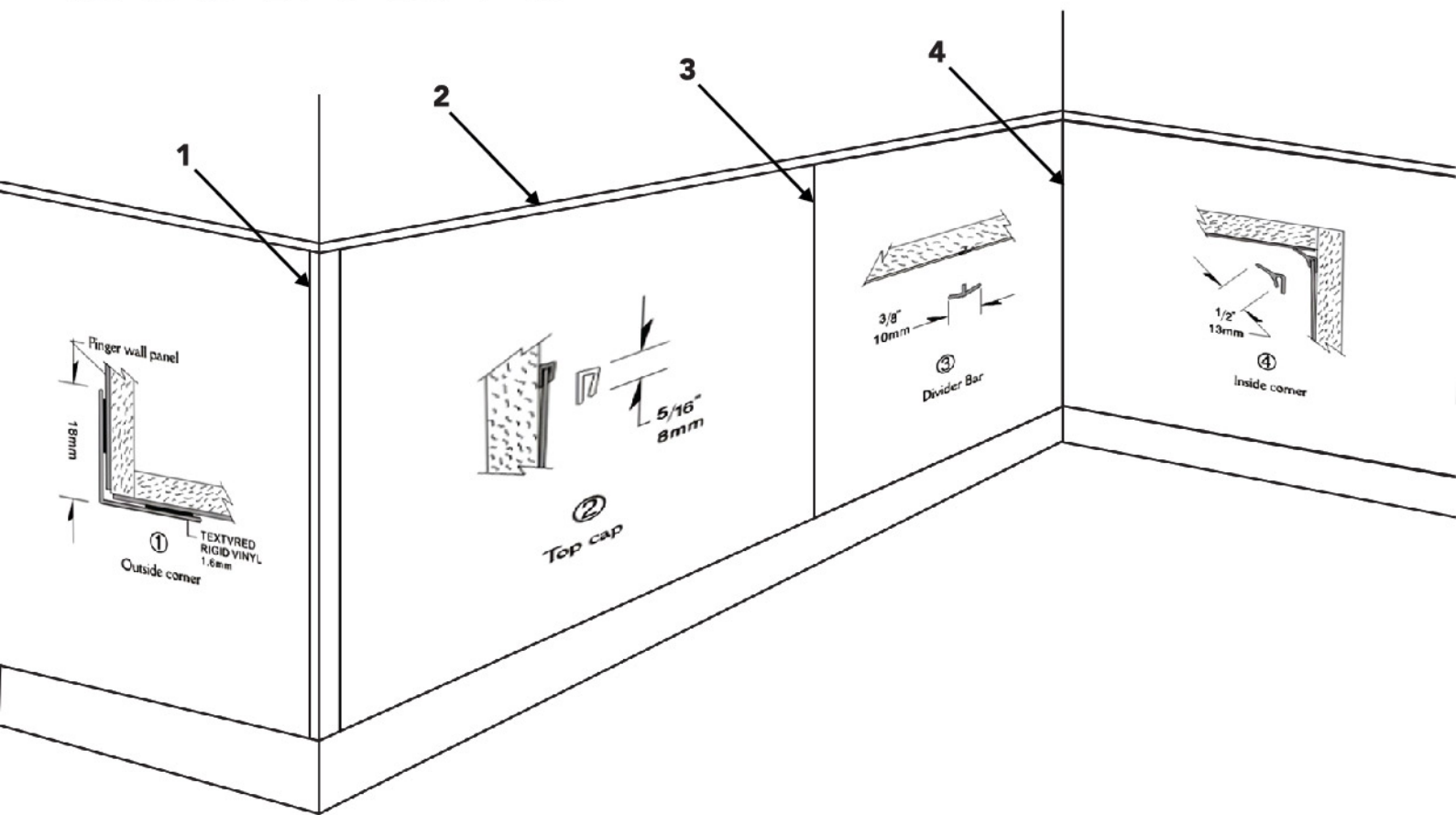
Colour Themes.

Guardio wall protection products are available in an extensive range of colour, material and design options

Product Designs

A full range of product options designed to provide functional and aesthetic solutions for working environments.

INSTALLATION DRAWING



Corporate Office

New 213 (old# 113) Prakasam Salai,
1st Floor, Broadway, Chennai - 600 108
Tamil Nadu.

Factory

B - 52 (N), Sipcot Industrial Estate,
Gummidipoondi - 601 201.

Marketing Offices

New Delhi
Ahmedabad
Mumbai
Hyderabad
Bangalore

Mail

admin@kantaflex.in

Phone

044 - 2536 1242
044 - 2536 1462
044 - 4200 0082

Connect Us

www.kantaflex.in

