

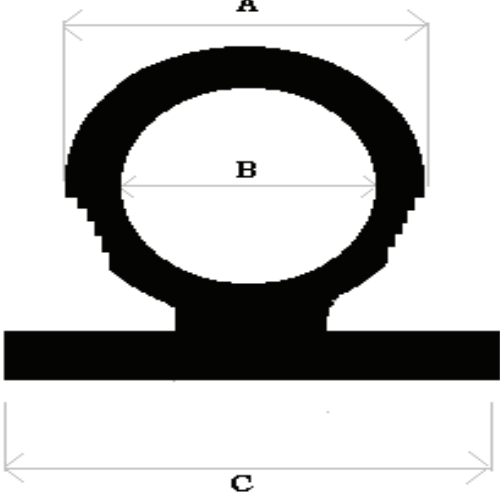


EXPANSION JOINT CLOSING CAP

Kanta System of expansion joint closing cap, is an extruded profile made out of plastic compound, the basic resin of Poly Vinyl Chloride, and the compound will contain additional resins, plasticizers, inhibitors, or other materials such that when the material is compounded, it will meet the physical properties of IS: 12200 – 1987 or to the latest IS: 15058 of 2002, meant for PVC Waterstop.

The Kanta System of expansion joint closing cap is used to fill the gap of the expansion joint provided in the RCC structures.

DESIGN OF THE EXPANSION JOINT CLOSING CAP

	GAP	BULB O.D.
	20mm	25mm
	25mm	32mm
	32mm	38mm
	40mm	50mm
	50mm	62mm
<ul style="list-style-type: none">• A = Bulb outer diameter• B = Bulb inner diameter• C = Cap width		